



MF610

Single-Phase BLDC Motor Controller

Data Sheet

Version 0.05 – Aug. 17, 2023

Copyright © 2023 by PADAUK Technology Co., Ltd., all rights reserved.

6F-6, No.1, Sec. 3, Gongdao 5th Rd., Hsinchu City 30069, Taiwan, R.O.C.

TEL: 886-3-572-8688  www.padauk.com.tw

IMPORTANT NOTICE

PADAUK Technology reserves the right to make changes to its products or to terminate production of its products at any time without notice. Customers are strongly recommended to contact PADAUK Technology for the latest information and verify whether the information is correct and complete before placing orders.

PADAUK Technology products are not warranted to be suitable for use in life-support applications or other critical applications. PADAUK Technology assumes no liability for such applications. Critical applications include, but are not limited to, those that may involve potential risks of death, personal injury, fire or severe property damage.

Any programming software provided by PADAUK Technology to customers is of a service and reference nature and does not have any responsibility for software vulnerabilities. PADAUK Technology assumes no responsibility for any issue caused by a customer's product design. Customers should design and verify their products within the ranges guaranteed by PADAUK Technology. In order to minimize the risks in customers' products, customers should design a product with adequate operating safeguards.

Table of Contents

1. Key Features	5
2. Pin Diagram and Pin Description	6
3. Device Characteristics	7
3.1. Absolute Maximum Ratings.....	7
3.2. DC/AC Characteristics	7
4. Reference Application Circuit.....	10
5. Package Information: MSOP10 (118mil).....	11

Revision History:

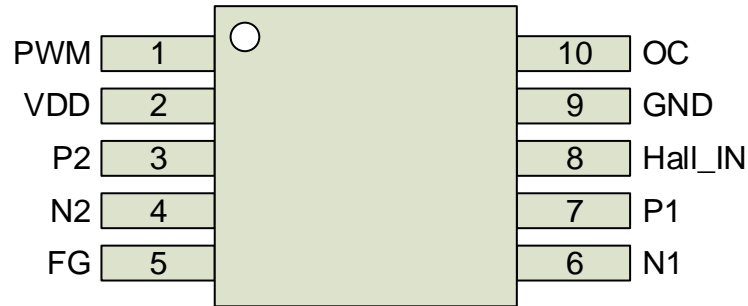
Revision	Date	Description
0.04	2021/01/15	Add pin description
0.05	2023/08/17	<ol style="list-style-type: none">1. Updated "IMPORTANT NOTICE"2. Updated DC/AC Characteristics: f_{SYS}, I_{OP}, V_{BRD}, V_{BG}, f_{HRC}, V_{ADC} and $ADclk$3. Amend chapter 4 (three-phase diagram)

1. Key Features

- Single-phase BLDC motor with hall IC interface
- PWM or voltage control input
- FG/RD/ALM/RALN/RXX/RRXX output
- Close loop or/and open loop control
- Current limit and over-current protection
- Soft-start, lock-protect and auto-restart
- System protection
 - Low-voltage detection with reset
 - Illegal opcode detection with reset
- MTP Programming
 - Support 6-wire factory programming mode
 - Support 4-wire in-system programming mode
- DC Fan Applications
 - Operating voltage range: 3.5V~6V
 - Operating temperature range: -40°C~105°C
- Package Information
 - MF610-M10: MSOP10 (118mil)

MF610 is a single phase BLDC motor controller based on 8-bit 8-FPPA MCU which can be programmed by 6-wire factory mode or 4-wire ISP mode. MF610 receives motor position signal from Hall IC and can control the H-bridge flexibly to make the best efficiency of the motor. Through the PADAUK patented AP development system, it can easily set any speed curve, output signal and protection parameters etc., and it can observe the motor response online immediately. Using the MF610's development system, it's much easier and adjustable for application.

2. Pin Diagram and Pin Description



MF610: M10 (MSOP10-118mil)

Pin Name	I/O	Description
PWM/ PB7	Input	PWM signal input
VDD	-	Power pin. Needs a 1uF and a 0.1uF capacitor in parallel.
P2/ PA6	Output	Output signal to control the high side of motor driver
N2/ PA7	Output	Output signal to control the low side of motor driver
FG/ PA0	Output	Rotation speed signal output
N1/ PA3	Output	Output signal to control the low side of motor driver
P1/ PA4	Output	Output signal to control the high side of motor driver
Hall_IN/ PA5	Input	Digital hall signal input
GND	-	Ground
OC/ PB0	Input	Analog input to sense motor current

3. Device Characteristics

3.1. Absolute Maximum Ratings

Name	Min	Typ.	Max	Unit	Notes
Supply Voltage (VDD)	3.5		6	V	Exceed the maximum rating may cause permanent damaged!!
Input Voltage	-0.3		$V_{DD} + 0.2$	V	
Operating Temperature	-40		105	°C	
Storage Temperature	-50		125	°C	
Junction Temperature		150		°C	

3.2. DC/AC Characteristics

Symbol	Description	Min	Typ	Max	Unit	Conditions (Ta=25°C)
V_{DD}	Operating Voltage	3.5 4.75	5.0 5.0	6 6	V	-40 °C < Ta < 85 °C -40 °C < Ta < 105 °C
V_{FSV}	Forbidden V_{DD} startup voltage range	0.7		1.6	V	
V_{PORV}	V_{DD} power down release voltage			0.7	V	
T_{POR}	V_{DD} power on time (V_{DD} from 0V to 5V)			50	ms	
T_{FSV}	V_{DD} power on time during V_{FSV} range			10	ms	
f_{SYS}	System clock IHRC/2	0		8M	Hz	$V_{DD} = 3.3V$
I_{OP}	Operating Current		3.5		mA	$f_{SYS}=8MIPS@5.0V$
I_{PD}	Power Down Current (by stopsys command)		3 1		uA uA	$V_{DD}=5.0V$ $V_{DD}=3.3V$
I_{PS}	Power Save Current (by stopexe command)		0.4		mA	$V_{DD}=5.0V$; Bandgap, LVD, IHRC, ILRC, Timer16 modules are ON.
V_{IL}	Input low voltage for IO lines	0		$0.2V_{DD}$	V	
V_{IH}	Input high voltage for IO lines	$0.8 V_{DD}$		V_{DD}	V	
I_{OL}	IO lines sink current	11	14	17	mA	$V_{DD}=5.0V, V_{OL}=0.5V$
I_{OH}	IO lines drive current	-8	-10	-12	mA	$V_{DD}=5.0V, V_{OH}=4.5V$
R_{PH}	Pull-high Resistance		90 170		K Ω	$V_{DD}=5.0V$ $V_{DD}=3.3V$
V_{BRD}	Low Voltage Detect Voltage * (Brown-out voltage)	3.0	3.3	3.5	V	

Symbol	Description	Min	Typ	Max	Unit	Conditions (Ta=25°C)
V _{BG}	Bandgap Reference Voltage (before calibration)	1.12	1.20	1.28	V	V _{DD} =5V, 25°C
	Bandgap Reference Voltage * (after calibration)	1.17*	1.20*	1.23*		V _{DD} =3.3V ~ 5.5V, -40°C < Ta < 105°C*
f _{IHRC}	Frequency of IHRC after calibration *	15.52*	16*	16.48*	MHz	25°C, V _{DD} =3.3V~5.5V
		14*	16*	17.28*		V _{DD} =3V~5.5V, -40°C < Ta < 105°C*
f _{ILRC}	Frequency of ILRC *	31.5*	33.8*	35*	KHz	V _{DD} =5.0V, Ta=25°C
		29*	33.8*	38.4*		V _{DD} =5.0V, -40°C < Ta < 85°C*
		32*	34*	35.5*		V _{DD} =3.3V, Ta=25°C
		29*	34*	40*		V _{DD} =3.3V, -40°C < Ta < 85°C*
V _{ADC}	Workable ADC operating Voltage	3.3		6.0	V	
V _{AD}	AD Input Voltage	0		V _{DD}	V	
ADrs	ADC resolution			11	bit	
ADclk	ADC clock period		2		us	3.3V ~ 5.5V
t _{ADCONV}	ADC conversion time (T _{ADCLK} is the period of the selected AD conversion clock)		14		T _{ADCLK}	
AD DNL	ADC Differential NonLinearity		±3*		LSB	
AD INL	ADC Integral NonLinearity		±3*		LSB	
ADos	ADC offset*		3 4		LSB	-40°C < Ta < 85°C* -40°C < Ta < 105°C*
t _{INT}	Interrupt pulse width	30			ns	V _{DD} = 5.0V
V _{DR}	RAM data retention voltage*	1.5			v	In power-down mode.
t _{WDT}	Watchdog timeout period (T _{ILRC} is the clock period of ILRC)		4096			misc[1:0]=01
			16384			misc[1:0]=10
t _{SBP}	System boot-up period from power-on		1024		T _{ILRC}	Where T _{ILRC} is the clock period of ILRC

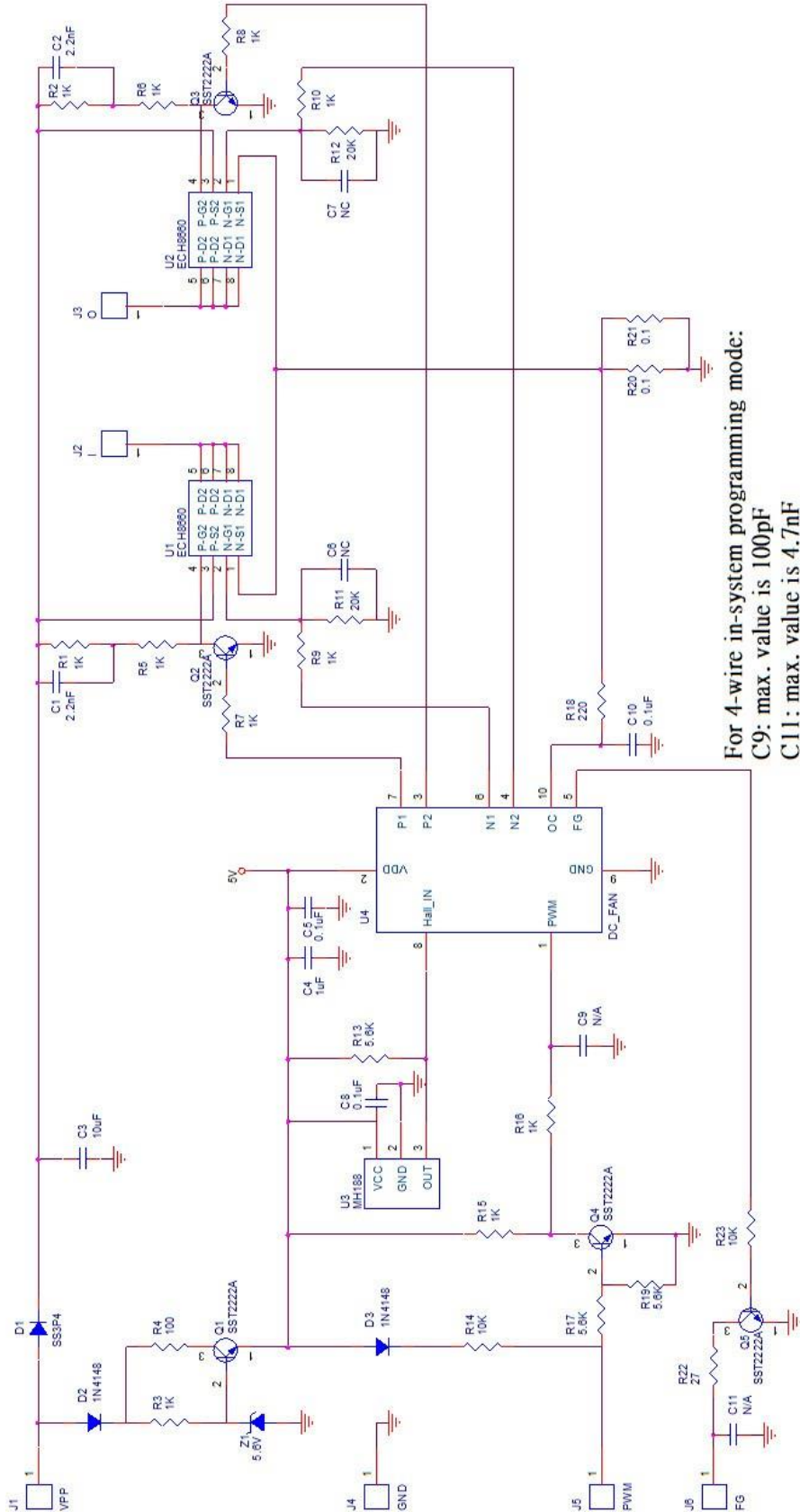
Symbol	Description	Min	Typ	Max	Unit	Conditions (Ta=25°C)
twUP	System wake-up period					
	Fast wake-up by IO toggle from STOPEXE suspend		128		T _{sys}	Where T _{sys} is the time period of system clock
	Fast wake-up by IO toggle from STOPSYS suspend, IHRC is the system clock		128 T _{sys} + T _{SIHRC}			Where T _{SIHRC} is the stable time of IHRC from power-on.
	Fast wake-up by IO toggle from STOPSYS suspend, ILRC is the system clock		128 T _{sys} + T _{SILRC}			Where T _{SILRC} is the stable time of ILRC from power-on.
	Normal wake-up from STOPEXE or STOPSYS suspend		1024		T _{ILRC}	Where T _{ILRC} is the clock period of ILRC
HCPos	Comparator offset*	-	±10	±20	mV	
HCPcm	Comparator input common mode*	0		V _{DD} -1.5	V	
HCPspt	Comparator response time**		100	500	ns	Both Rising and Falling
HCPmc	Stable time to change comparator mode		2.5	7.5	us	

*These parameters are for design reference, not tested for every chip.

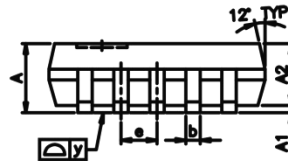
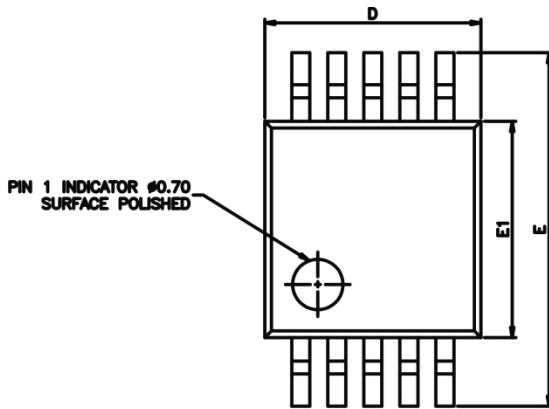
** Response time is measured with comparator input at (V_{DD}-1.5)/2 -100mV, and (V_{DD}-1.5)/2+100mV

The characteristic diagrams are the actual measured values. Considering the influence of production drift and other factors, the data in the table are within the safety range of the actual measured values.

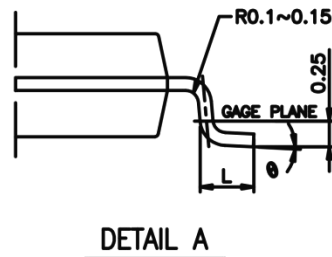
4. Reference Application Circuit



5. Package Information: MSOP10 (118mil)



SYMBOLS	DIMENSIONS IN MILLIMETERS		
	MIN	NOM	MAX
A	—	—	1.10
A1	0.05	—	0.15
A2	0.75	0.86	0.95
b	0.17	0.20	0.27
c	0.08	0.15	0.23
D	2.90	3.00	3.10
E	4.80	4.90	5.00
E1	2.90	3.00	3.10
e	—	0.50	—
L	0.40	0.53	0.80
y	—	—	0.076
φ	0'	3'	8'



NOTE :

1. CONTROLLING DIMENSION : mm
2. LEAD FRAME MATERIAL : OLIN C7025
3. DIMENSION "D" DOES NOT INCLUDE MOLD FLASH, TIE BAR BURRS AND GATE BURRS. MOLD FLASH, TIE BAR BURRS AND GATE BURRS SHALL NOT EXCEED 0.005[0.12mm] PER END. DIMENSION "E1" DOES NOT INCLUDE INTERLEAD FLASH. INTERLEAD FLASH SHALL NOT EXCEED 0.010[0.25mm] PER SIDE.
4. DIMENSION "b" DOES NOT INCLUDE DAMBAR PROTRUSION. ALLOWABLE DAMBAR PROTRUSION SHALL BE 0.003[0.06mm] TOTAL IN EXCESS OF THE "b" DIMENSION AT MAXIMUM MATERIAL CONDITION. DAMBAR CANNOT BE LOCATED ON THE LOWER RADIUS OR THE FOOT. MINIMUM SPACE BETWEEN PROTRUSION AND AN ADJACENT LEAD TO BE 0.0028[0.07mm]
5. TOLERANCE : ±0.010[0.25mm] UNLESS OTHERWISE SPECIFIED.
6. OTHERWISE DIMENSION FOLLOW ACCEPTABLE SPEC.
7. REFERENCE DOCUMENT : JEDEC SPEC MO-187